

CL61015 Herd of cattle/CL61016-CL61017 Flock of sheep sound module

Dear Customer,

This sound model was specially developed for larger tracks (from track 0 upwards). However, it can also be used on smaller tracks (H0 and N, etc.). This sound module reproduces the original sounds of a herd of cattle (CL61015) or a flock of sheep (CL61016/61017) and is a great effect for every model train system. The sounds can either be used stationary or installed into a cattle wagon. The sounds vary by means of a random generator. The board contains a potentiometer to regulate the volume.

Packing content:

1 board with installation instructions
1 loudspeaker

Technical data:

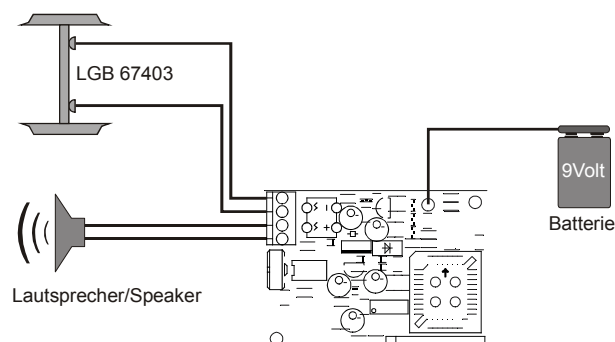
Supply with d.c., a.c., and digital voltage possible!
Input: 0-24 volt = (d.c.)
0-18 volt ~ (a.c.)

Note:

Please read the following description carefully before starting with the installation. Please note that additional loudspeakers must not be connected to the module! **CE** Not suitable for children under 14 years. Contains small parts. Improper use may lead to injuries due to functional sharp edges and points. Please retain these instructions for use!

1. Retrofitting/installation in wagon (analogue operation):

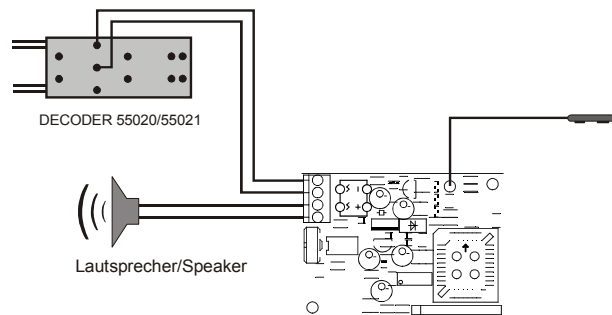
Wire the module as per the following drawing. Clips 1 and 2 serve as the power supply of the module. If the module is installed in freight or passenger cars, please use the LGB ball bearing wheel sets with current supply point (LGB 67403). Clips 3 and 4 are used to connect the loudspeaker. The volume can be adjusted via the potentiometer on the board. If you want the sound to work smoothly even at a low travelling voltage, you will have to connect a 9-volt compound battery to the sound module!



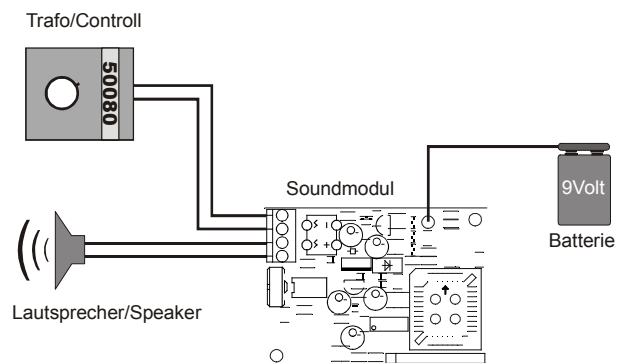
2. Retrofitting/installation in wagon (digital operation):

Wire the module as per the following drawing. Clips 1 and 2 go to the F1 output of the LGB decoder (LGB 55020/55021). Instead of the F1 output on the LGB decoder, you can also use any other connection output with a minimum power of 250mA.

Clips 3 + 4 are used to connect the loudspeaker. The volume can be adjusted via the potentiometer on the board. In digital operation, there is no need for the 9-volt compound battery. The battery clip can therefore be insulated.



3. Connection of a transformer (e.g. LGB 50080)



Should you discover a fault in the fabrication despite a careful final inspection, please return this item to your dealer, together with a description of the fault and your receipt, or send the component directly to us. Any charges relating to the return of this item will have to be borne by you!

You will find our address on the packaging or on the Internet at <http://www.champex-linden.de>.

CHAMPEX-LINDEN® Modellspielwaren - Salvatorstr. 4 – D 41542 Dormagen Nievenheim
Telephone 02133-929877 – fax 02133-929878 - e-mail: info@champex-linden.de

© 2002 by **CHAMPEX-LINDEN®**